

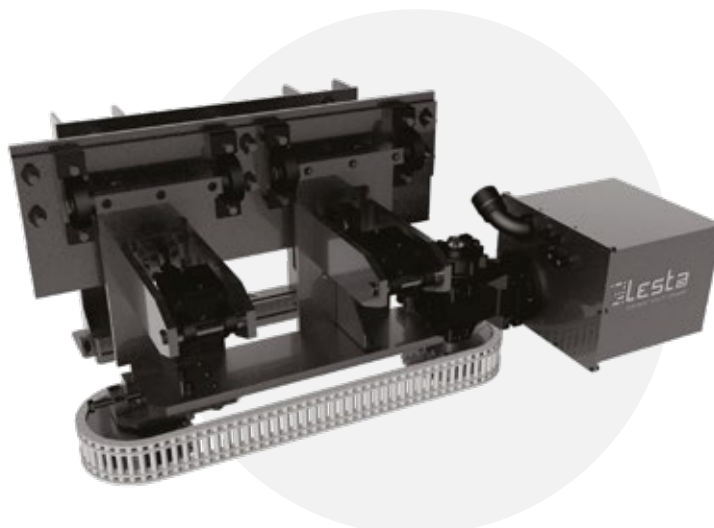


INTEGRATED / STAND-ALONE ACCESSORIES

Lesta ROTATION UNIT RA / RT / RHT

RA: AERIAL ROTATION GROUP

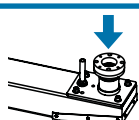
Lesta ROTATION UNIT RA is a device that allows you to rotate the pieces on an overhead conveyor.



On the gauge conveyor, **it can work with 2 different pitches**

RT: ROTATION GROUP ON THE GROUND

Lesta ROTATION UNIT RT is a floor-standing device that allows the pieces to be painted to be hooked and rotated **perpendicular to the floor**.

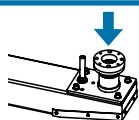


It can be integrated into **the arms of the carousels** or a **conveyor**

On conveyor in pitch it can work **with 2 different pitches on the same plant**.

RHT: HORIZONTAL ROTATION GROUP

Lesta ROTATION UNIT RHT is a floor-standing device, which allows the pieces to be painted to be hooked and rotated **parallel to the floor**.



It can be integrated at the **arms of the carousels**.