

# Lesta CLEANING STATION

INTEGRATED / STAND ALONE ACCESSORIES



Lesta CLEANING STATION is a gun cleaning station that can be integrated into spray booths, and is developed for the automatic cleaning of spray nozzles. It is an accessory that can also be integrated into systems without the Lesta robot.

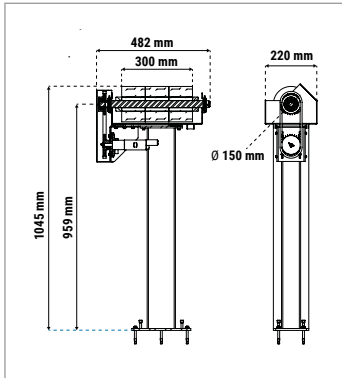
The Lesta CLEANING STATION is fully pneumatic controlled.



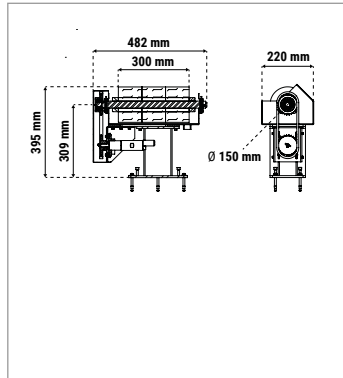
ATEX compatible

## THE FOLLOWING HEIGHTS ARE AVAILABLE

H 959

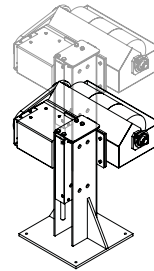


H 309



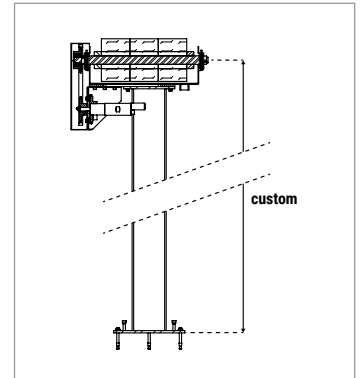
VARIABLE H 400 TO 650

The height of the tank is variable. The movement is software controlled by a solenoid valve (located outside the ATEX area). The tank is moved by compressed air.



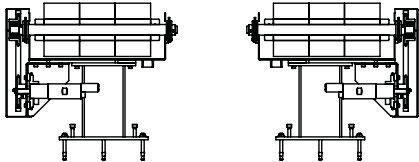
H min.: 400 mm  
H max.: 650 mm

CUSTOM HEIGHT



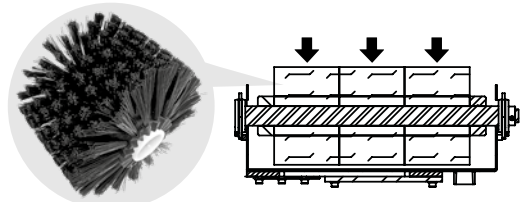
## THE MOTOR IS AVAILABLE IN 2 POSITIONS

In order to meet the installation requirements of the Lesta CLEANING STATION, we can place the engine on the right or on the left side of the tank.

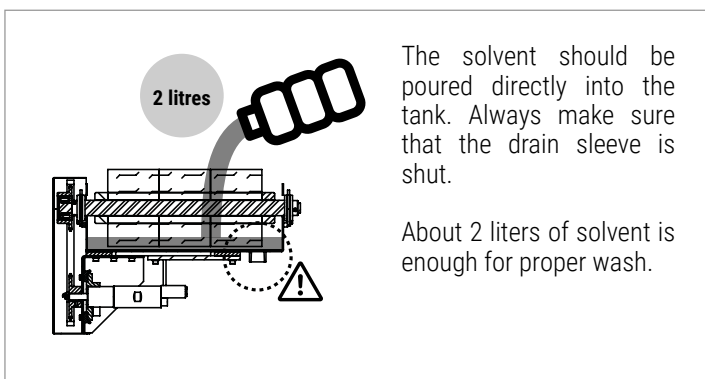


## CUSTOM WIDTH

The brushes are modular, allowing you to create your own tank by adding the appropriate elements.



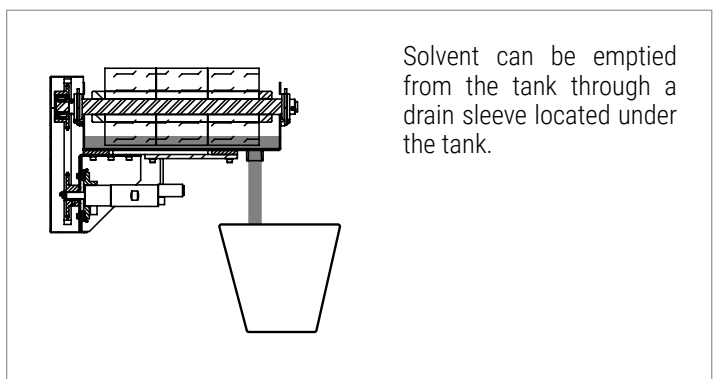
## HOW TO LOAD THE SOLVENT



The solvent should be poured directly into the tank. Always make sure that the drain sleeve is shut.

About 2 liters of solvent is enough for proper wash.

## HOW TO DRAIN THE SOLVENT



Solvent can be emptied from the tank through a drain sleeve located under the tank.